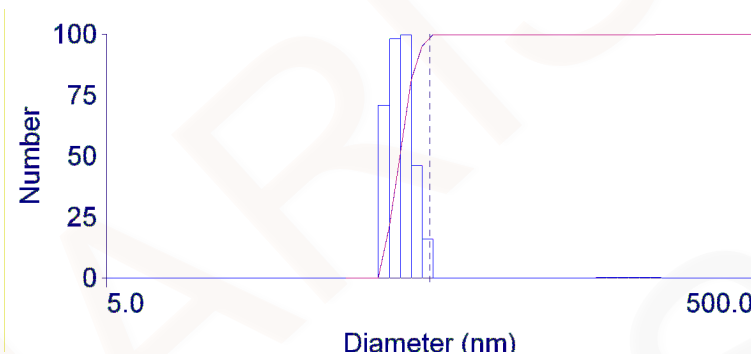


40 nm_{NV} FNDs

Data provided below is representative of DLS size distribution data for all Cymaris 40 nm FNDs. To receive lot specific size data, email sales@cymaris.com, or call 1-614-732-0754.

Particle Size Data: As determined by Dynamic Light Scattering (DLS):

Elapsed Time	00:06:00
Mean Diam.	40.6 nm
Rel. Var.	0.011
Skew	12.014



d(nm)	G(d)	C(d)	d(nm)	G(d)	C(d)	d(nm)	G(d)	C(d)
28.5	0	0	66.9	0	100	156.8	0	100
30.8	0	0	72.2	0	100	169.4	0	100
33.3	0	0	78.1	0	100	183.0	0	100
36.0	71	21	84.3	0	100	197.8	0	100
38.9	98	51	91.1	0	100	213.7	0	100
42.0	100	81	98.5	0	100	230.9	0	100
45.4	46	95	106.4	0	100	249.6	0	100
49.0	16	100	115.0	0	100	269.7	0	100
53.0	0	100	124.3	0	100	291.4	0	100
57.3	0	100	134.3	0	100	314.9	0	100
61.9	0	100	145.1	0	100	340.2	0	100

DLS data represents size of bare nanodiamond. Final hydrodynamic size will be dependent on functional coating.